



QUIZ 2

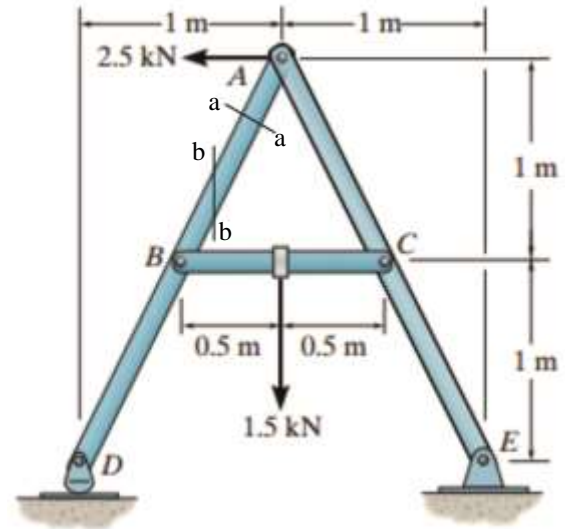
23 January 2015
Doç. Dr. M. Ali Güler

Ad, Soyad: _____
No: _____

Problem: The truss members are connected between each other. The cross section is square, 12 mm on each side.

Given: $\tau_{all} = 120 \text{ MPa}$ F.S.=2

- a) Determine the normal stress at section a-a in member AD.
- b) Determine the shear stress at section b-b in member AD.
- c) What is the required diameter for pins at D and E. (Give your numbers to the nearest integer.)



Reference: Hibbeler, 8th Ed./1-42