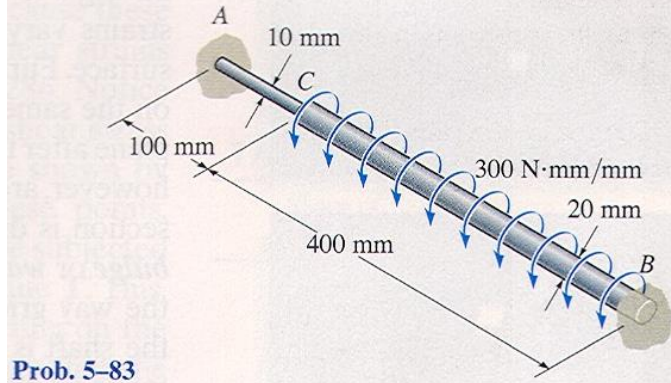


MAK 205
QUIZ 4
6 Kasım 2006

Adı ve Soyadı:

Numarası:

5-83. The A-36 steel shaft is made from two segments: AC has a diameter of 10 mm and CB has a diameter of 20 mm. If the shaft is fixed at its ends A and B and subjected to a uniform distributed torque of $300 \text{ N}\cdot\text{mm}/\text{mm}$ along segment CB , determine the absolute maximum shear stress in the shaft. $G = 75 \text{ GPa}$.



Prob. 5-83